

**REMARKS**

At the outset, the Examiner is thanked for the thorough review and consideration of the pending application. The Office Action dated July 2, 2007, has been received and its contents carefully reviewed.

Claims 1, 2, 4, 5 and 18 are rejected by the Examiner. Claims 1, 2 and 4 are amended. Claims 1, 2, 4, 5 and 18 remain pending in this application.

In the Office Action, claims 1, 2 and 4 are rejected under 35 U.S.C. § 102(b) as being anticipated by U.S. Patent No. 3,125,299 to Woofter et al. (hereinafter "Woofter"). Claims 1, 2 and 4 are rejected under 35 U.S.C. § 103(a) as being unpatentable over U.S. Patent No. 6,799,987 to Park et al. (hereinafter "Park"). Claims 5 and 18 are rejected under 35 U.S.C. § 103(a) as being unpatentable over Park in view of Japanese Patent Publication No. 09-259,749 to Yamashita et al. (hereinafter "Yamashita").

The rejection of claims 1, 2, 4, 5 and 18 is respectfully traversed and reconsideration is requested. Claims 1, 2, 4, 5 and 18 are allowable over the cited references in that each of these claims recites a combination of elements including, for example, "an L-shaped connector for electrically connecting the electrode of the lamp to the wire, the L-shaped connector directly contacting only the electrode of the lamp and a wire electrode provided at the end of the wire" and "a second curved wing to be pressed only around the wire electrode." None of the cited references including Woofter, Park and Yamashita, singly or in combination, teaches or suggests at least these features of the claimed invention.

As shown in FIGs. 4 and 6C of this application, the second curved wing of the connector 24 is connected only to the electrode 32 of the lamp and the wire electrode 33.

FIG. 4

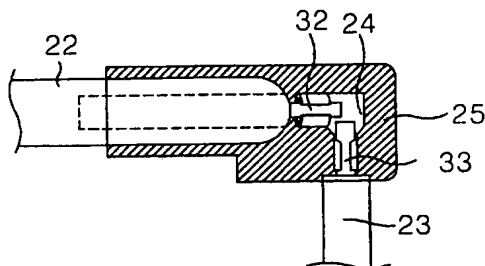
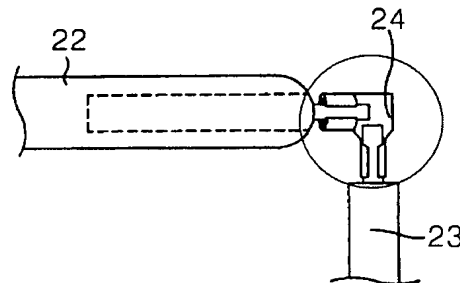
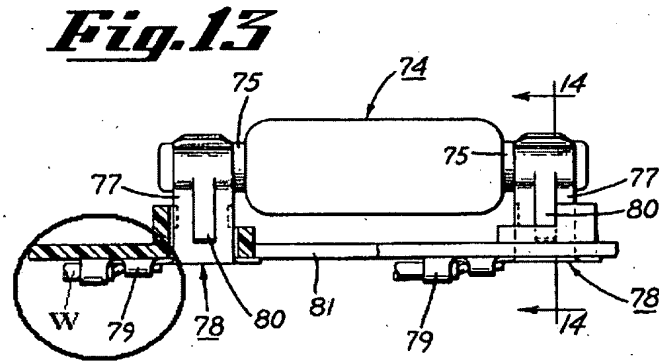


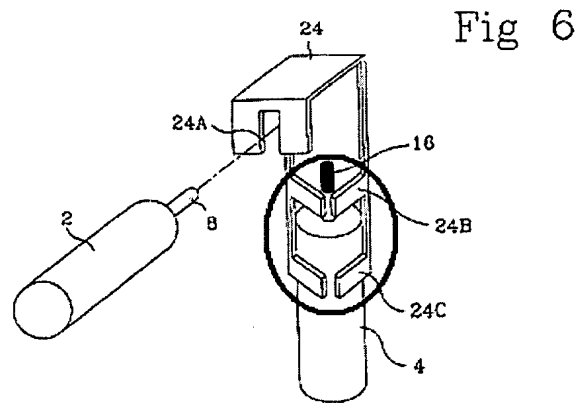
FIG. 6C



Regarding Woofter, as shown in FIG. 13, a crimped portion 79 of terminal means 78 is connected to a lead of the wire W and an envelope of the wire W.

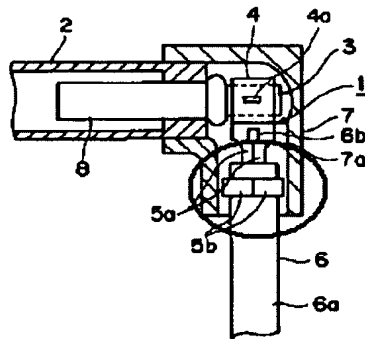


Regarding Park, as shown in FIG. 6, a core clamping part 24B and 24C of the clamp 24 are connected to a conductive core 16 of the wire 4 and an envelope of the wire 4, respectively.



Regarding Yamashita, as shown in FIG. 2, tongue-shaped pieces 5a and 5b of a connector 1 are connected to metal wire 6b of a lead wire 6 and an envelope 6a of the lead wire 6, respectively.

【圖2】



Accordingly, Applicant respectfully submits that claims 1, 2, 4, 5 and 18 are allowable over the cited references.


Applicants believe the foregoing remarks place the application in condition for allowance and early, favorable action is respectfully solicited.

If for any reason the Examiner finds the application other than in condition for allowance, the Examiner is requested to call the undersigned attorney at (202) 496-7500 to discuss the steps necessary for placing the application in condition for allowance. All correspondence should continue to be sent to the below-listed address.

If these papers are not considered timely filed by the Patent and Trademark Office, then a petition is hereby made under 37 C.F.R. § 1.136, and any additional fees required under 37 C.F.R. § 1.136 for any necessary extension of time, or any other fees required to complete the filing of this response, may be charged to Deposit Account No. 50-0911. Please credit any overpayment to deposit Account No. 50-0911. *A duplicate copy of this sheet is enclosed.*

Respectfully submitted,

Dated: 14 September 2007

By   
Eric J. Nuss  
Registration No. 40,106  
McKENNA LONG & ALDRIDGE LLP  
1900 K Street, N.W.  
Washington, DC 20006  
(202) 496-7500  
Attorneys for Applicant